

**Product:** KLUDI FIZZ Thermostatic Dual Shower System  
DN 15

**Ref.:** 6709605-00

### Product description

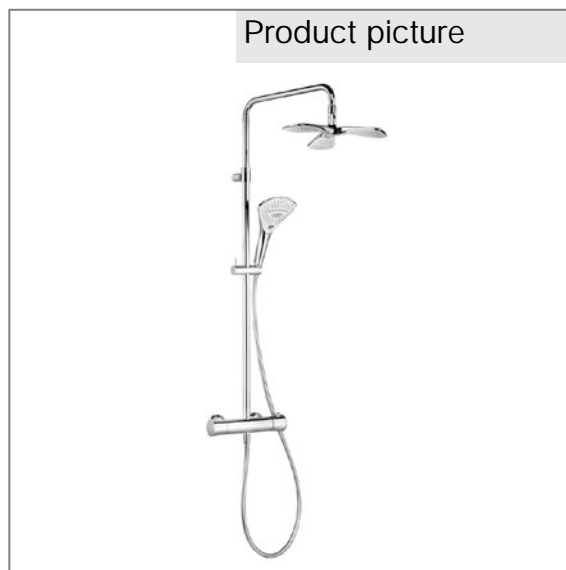
Thermostat Dual Shower System DN 15  
with horizontally and vertically adjustable riser pipe  
wall fastening  
temperature control handle with hot water safety device 38°C  
with ceramic shut-off valve as rotary valve 90°/90°  
hand shower outlet (below), rotate the handle to the rear  
head shower outlet (up), rotate the handle forward  
protected against back flow  
shower holder vertically and horizontally adjustable  
with KLUDI SUPARAFLEX SILVER shower hose 1/2 x 1/2 inch x 1600 mm  
with KLUDI FIZZ swivel head shower KB 3  
with KLUDI FIZZ hand shower 3 S, with three spray patterns  
with fixing kit, with dirt-catcher sieve

Finishes:  
05 chrome

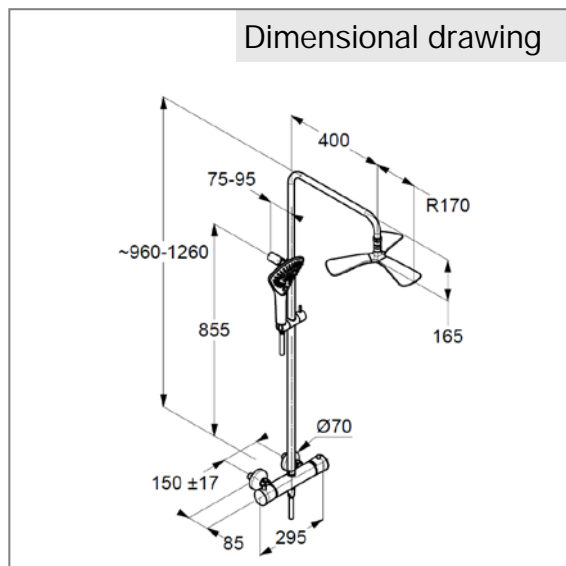
### Advertisement

thermostatic shower mixer, manufacturer KLUDI GmbH & Co. KG  
KLUDI FIZZ item no. 6709605-00  
type: Thermostatic Dual Shower System 3S, DN 15 / PN 10, chrome plated  
brass/plastic, ceramic shut-off valve as a rotary valve 90°/90°, solid handle chrome  
plated plastic, temperature control handle with hot water safety device 38 °C, with  
dirt-catcher sieve and backflow preventer, flow rate hand shower booster 11,6 l/min /  
linear 11,7 l/min / volume 15,5 l/min at 3 bar, flow rate head shower 20 l/min at 3  
bar, protected against back flow DIN EN 1717, concealed S unions 1/2 x 3/4 inch,  
with KLUDI FIZZ swivel head shower KB 3 with cleaning system, chrome plated plas-  
tic/metal, connection 1/2 inch, with KLUDI FIZZ hand shower 3 S with booster / linear  
/ volume spray, chrome plated plastic, with cleaning system, connection 1/2 inch,  
with KLUDI SUPARAFLEX SILVER shower hose 1/2 x 1/2 inch x 1600 mm, plastic  
coated with metal effect (silver), outlet to head shower (up) with horizontally and  
vertically adjustable rigid shower riser, chrome plated, with slider horizontally and  
vertically adjustable, with wall socket, with fixing kit  
dimensions: height: 960-1260 mm, projection: 400 mm, head shower: Ø 340 mm,  
hand shower: 160/275 mm, width thermostatic mixer: 295 mm  
for pressure type water heater, for continuous line heater

### Product picture



### Dimensional drawing



### Flow rate diagram

