

Product: KLUDI KOMET single lever sink mixer bayonette DN 10

Ref.: 33798 .. 62

Product description

single lever sink mixer bayonette DN 10
 open ring lever
 single hole mounted
 flow class A
 aerator M 24 x I
 ceramic cartridge with hot water safety device
 swivel spout (360°)
 for installation below the window
 remaining height at the base: 25 mm
 shank-fixing
 flexible high pressure supply tubes G 3/8
 noise group I

Finishes:
 05 chrome

Product picture

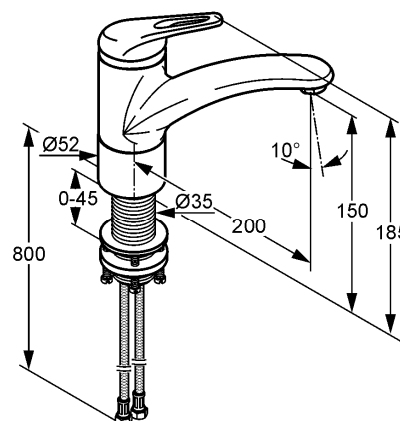


Advertisement

- * KLUDI GmbH & Co KG KLUDI KOMET single lever sink mixer Bayonette item no. 33798..62
- ** ceramic cartridge with hot water safety device Ø 35 mm, DIN EN 817
- *** brass, DIN 50930-6

single lever sink mixer bayonette, manufacturer KLUDI GmbH & Co KG KLUDI KOMET
 single lever sink mixer bayonette item no. 33798..62, DN 10, finishes: chrome plated
 brass, type: single lever sink mixer bayonette DN 10, swivelling spout, open ring
 lever, lever projection 85 mm, aerator M 24 x I, noise level DIN 4109 group I, without
 report no., flow class A (max. 0,25 l/s), nozzle projection 200 mm, back nut fixing,
 flexible high pressure supply tubes 3/8 inch with metal body with DVGW / KIWA /
 WRAS / CSTB length 800 mm, nozzle height 150 mm, overall length 185 mm,
 ceramic cartridge with hot water safety device Ø 35 mm, for installation below the
 window, remaining height at the base 25 mm, for borehole diameter Ø 35 mm, for
 pressure type water heater, for continuous line heater, PN 10,

Dimensional drawing



Flow rate diagram

