

**Product:** KLUDI E2 3 hole single lever bath and shower mixer with diverter

**Ref.:** 494260575

## Product description

3 hole single lever bath and shower mixer DN 15, three hole tiles deck installation, standing installation  
 solid lever  
 ceramic cartridge with hot water safety device  
 flow rate to bath tub 24 l/min at 3 bar  
 flow rate shower 15,5 l/min./ 3 bar  
 automatic diverter: shower to bath tub,protected against back flow  
 with pull-out hand shower KLUDI A-QA 1 S, shower hose 1/2 x 1/2 x 1500 mm  
 without connecting supply hoses  
 without bath tub filler

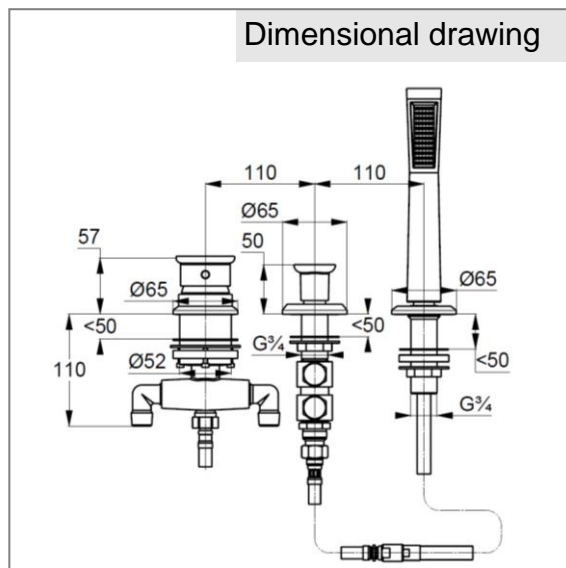
Finishes:

05 chrome

## Product picture



## Dimensional drawing



## Advertisement

three hole tap, manufacturer KLUDI GmbH & Co. KG

KLUDI E2 item no. 494260575

type: 3 hole single lever bath and shower mixer with diverter, DN 15 / PN 10 for tiles deck installation and standing installation, chrome plated brass, solid lever chrome plated metal, ceramic cartridge K-41 with hot water safety device, without bath tub filler, flow rate to bath tub 24 l/min at 3 bar, flow rate at shower outlet 15,5 l/min./ 3 bar, automatic diverter: shower to bath tub, protected against back flow DIN EN 1717, with pull-out KLUDI A-QA 1 S hand shower, chrome plated plastic, with cleaning system, fixed shuft for shower hose, shower hose 1/2 x 1/2 inch x 1500 mm with metal body

connecting supply hoses KLUDI item no.7544605-00

required quantity 2 pieces, not included

## Flow rate diagram

