

Product: JOOP! single lever basin mixer DN 10

Ref.: 55023 .. 05

Product description

single lever basin mixer DN 10
 cylinder lever
 single hole mounted
 flow class A
 Ovalflow aerator
 ceramic cartridge with hot water safety device
 pop up waste 1 1/4 inch
 rapid installation set
 flexible high pressure supply tubes G 3/8
 noise group I
 P-IX 9770/10

Finishes:
 05 chrome
 H7 chrome / glass green

Product picture

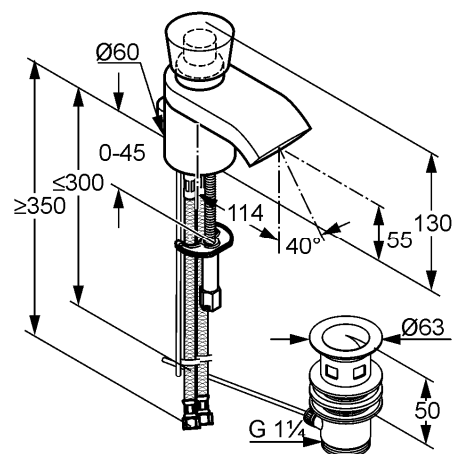


Advertisement

- * KLUDI GmbH & Co KG JOOP! single lever basin mixer item no. 55023..05
- ** ceramic cartridge with hot water safety device Ø 35 mm, DIN EN 817
- *** chrome plated brass, DIN 50930-6

single lever basin mixer, manufacturer KLUDI GmbH & Co KG JOOP! single lever basin mixer item no. 55023..05, DN 10, chrome plated brass, ceramic cartridge with hot water safety device Ø 35 mm, cylinder lever, chrome plated brass, noise level DIN EN 4109 group I, report no. P- IX 9770 / 10, type: single lever basin mixer DN 10, flow class A (max. 0,25 l/s), with Ovalflow aerator, pop up waste 1 1/4 inch, flexible high pressure supply tubes 3/8 inch with metal body with DVGW / KIWA / WRAS / CSTB length 350 mm, nozzle projection 114 mm, nozzle height 55 mm, rapid installation set, cylinder lever, overall length 130 mm, surface (lever) optionally = 05 chrome plated, H7 = chrome/glass green, for pressure type water heater, for continuous line heater, PN 10,

Dimensional drawing



Flow rate diagram

