

Product: **KLUDI BALANCE electronic controlled basin mixer DN 15**

Ref.: **5220205**

Product description

electronic controlled basin mixer DN 15
 single hole mounted
 flow rate 5,0 l/min at 3 bar
 flow straightener M 24 x l with anti-theft device
 magnet-cartridge unit, with presettable temperature control handle
 optical object-registration
 electronic unit with control device
 electric power supply via 230 V main adapter
 rapid installation set
 flexible high pressure supply tubes G 3/8 with dirt catcher sieve
 noise group I, protected against vandalism
 for use with displacement heaters

Finishes:
 05 chrome

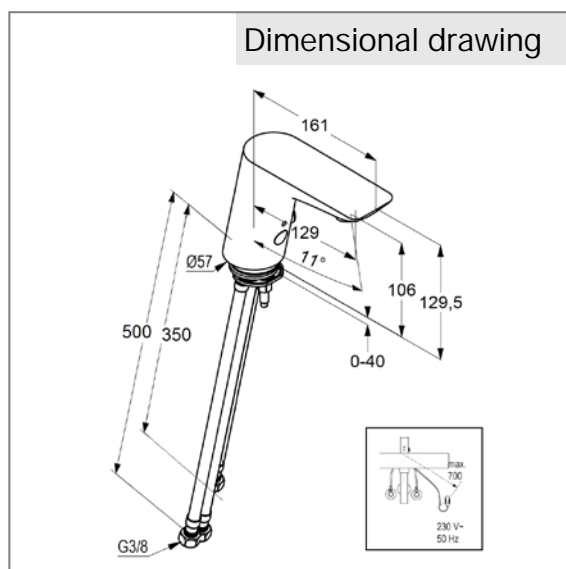
Product picture



Advertisement

Electronic controlled basin mixer DN 15, manufacturer KLUDI GmbH & Co KG KLUDI BALANCE item no. 5220205, DN 15, chrome plated brass DIN 50930-6, as electronic controlled pillar tap, according to technical requirements DIN EN 15091 and VDE 0630 part 12/09.88, electronic = electromagnetic compatibility proofed, flexible high pressure supply tubes length 350/500 mm with metal body 3/8 inch with DVGW / KIWA / WRAS / CSTB approval (W543/W270), noise level DIN 4109 group I, flow straightener M 24 x l with anti-theft device, activation optoelectronic, with electric power supply via 230 V main adapter, safety class IP 65, with presettable temperature control handle, flow flow rate 5,0 l/min, max. warm water intake temperature 65 °C (as scald protection), with functional reliability magnet-cartridge unit, protected against vandalism, with integrated sensory window, valve closed in rest position, rapid installation system, projection in mm 129, spout height in mm 106/129,5, total height in mm 129,5, with (set/free adjustable) hot water safety device via mixing shaft, for use with displacement heaters, PN 0,

Dimensional drawing



Flow rate diagram

