

**Product:** KLUDI L-INE single lever sink mixer bayonette DN 10

**Ref.:** 42817..77

**Product description**

single lever sink mixer bayonette DN 10  
 solid lever  
 single hole mounted  
 flow class Z  
 PCA Cache aerator M 16,5 x l  
 ceramic cartridge with hot water safety device  
 swivelling spout (360°)  
 for installation below the window  
 remaining height at the base: 25 mm  
 shank-fixing  
 flexible high pressure supply tubes G 3/8  
 noise group I

Finishes:  
 05 chrome

**Product picture**

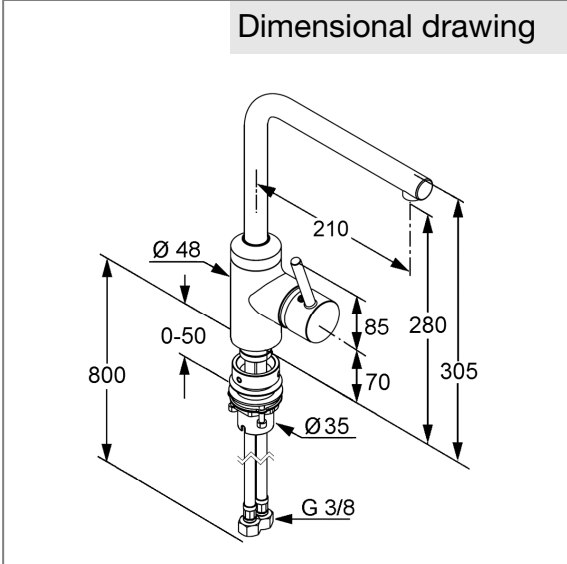


**Advertisement**

- \* KLUDI GmbH & Co. KG KLUDI L-INE single lever sink mixer bayonette item no. 42817..75
- \*\* ceramic cartridge with hot water safety device Ø 35 mm, DIN EN 817
- \*\*\* plated brass, DIN 50930-6

single lever sink mixer bayonette, manufacturer KLUDI GmbH & Co. KG KLUDI L-INE single lever sink mixer bayonette item no. 42817..75, DN 10, finishes: 05 = chrome plated brass, type: single lever sink mixer bayonette DN 10, swivelling spout (360°), solid lever, lever projection 85 mm, PCA Cache aerator M 16,5 x l, noise level DIN 4109 group I, without report no., flow class Z (max. 0,14 l/s), nozzle projection 210 mm, back nut fixing, flexible high pressure supply tubes 3/8 inch with metal body with DVGW/KIWA/WRAS/CSTB length 800 mm, nozzle height 280 mm, ceramic cartridge with hot water safety device Ø 35 mm, overall length 305 mm, for borehole diameter Ø 34 mm, for installation below the window, remaining height at the base: 25 mm, for pressure type water heater, for continuous line heater, PN 10,

**Dimensional drawing**



**Flow rate diagram**

