

Product: KLUDI MX single lever shower mixer DN 15

Ref.: 337100562

Product description

single lever shower mixer DN 15
 open ring lever
 wall fastening
 flow class B
 ceramic cartridge with hot water safety device
 shower outlet G 1/2
 protected against back flow
 S unions
 without shower set
 noise group I

Finishes:
 05 chrome

Product picture

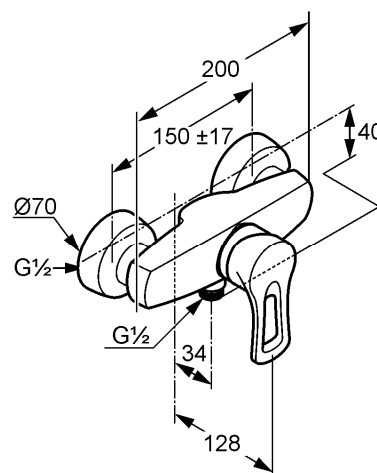


Advertisement

- * KLUDI GmbH & Co. KG KLUDI MX single lever shower mixer item no. 337100562
- ** ceramic cartridge with hot water safety device Ø 41 mm, DIN EN 817
- *** chrome plated brass DIN 50930-6

single lever shower mixer DN 15, manufacturer KLUDI GmbH & Co. KG KLUDI MX single lever shower mixer item no. 337100562, DN 15, chrome plated brass, ceramic cartridge with hot water safety device Ø 41 mm, open ring lever, noise level DIN EN 4109 group I, without report no., type: single lever shower mixer DN 15, protected against back flow DIN EN 1717, shower outlet 1/2 inch, S unions 1/2 x 3/4 inch, lever projection 91 mm, projection 128 mm, projection shower outlet 34 mm, flow class B (max. 0,42 l/s), for pressure type water heater, for continuous line heater, PN 10,

Dimensional drawing



Flow rate diagram

