

Product: KLUDI Dual Shower System DN 15

Ref.: 6609005-00

Product description

Dual Shower System DN 15
with horizontally and vertically adjustable riser pipe
wall fastening

two-way ceramic diverter

water supply with connecting hose 1/2 x 1/2 inch x 800 mm
ridgeless adjustable slider vertically and horizontally adjustable
with KLUDI SUPARAFLEX shower hose 1/2 x 1/2 inch x 1600 mm
with KLUDI A-QA swivel head shower Ø 175 mm
with KLUDI ZENTA 2 S hand shower, with two spray patterns
with fixing kit
without shower mixer

Finishes:
05 chrome

Product picture



Advertisement

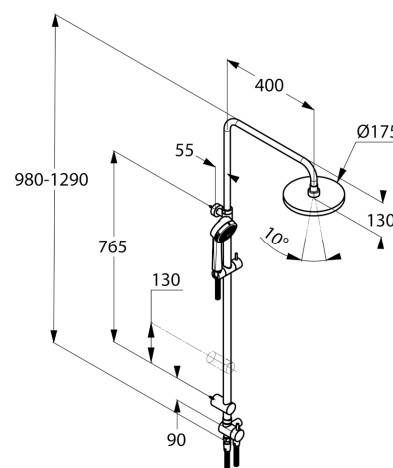
Dual Shower System, manufacturer KLUDI GmbH & Co. KG
KLUDI item no. 6609005-00

type: Dual Shower System, DN 15 / PN 5, chrome plated brass / plastic, with 2 way ceramic diverter cartridge: head shower to hand shower, lever chrome plated metal, flow rate hand shower 13 l/min at 3 bar, flow rate head shower 11 l/min at 3 bar, with KLUDI A-QA swivel head shower, with cleaning system, connection 1/2 inch, with KLUDI ZENTA 2 S hand shower, chrome plated plastic, with cleaning system, connection 1/2 inch, with KLUDI SUPARAFLEX shower hose 1/2 x 1/2 inch x 1600 mm plastic coated with metal effect, outlet to head shower (up) with horizontally and vertically adjustable rigid shower riser, chrome plated, with slider horizontally and vertically adjustable, with flexible connecting hose 1/2 x 1/2 inch x 800 mm, with wall socket, with fixing kit

dimensions: height: 980-1290 mm, projection: 400 mm, head shower: Ø 175 mm, hand shower: Ø 84/230 mm

protection against back flow DIN EN 1717 over shower mixer or wall supply, for continuous line heater, for pressure type water heater

Dimensional drawing



Flow rate diagram

