

Product: KLUDI MEDI CARE wall mounted single lever mixer DN 15

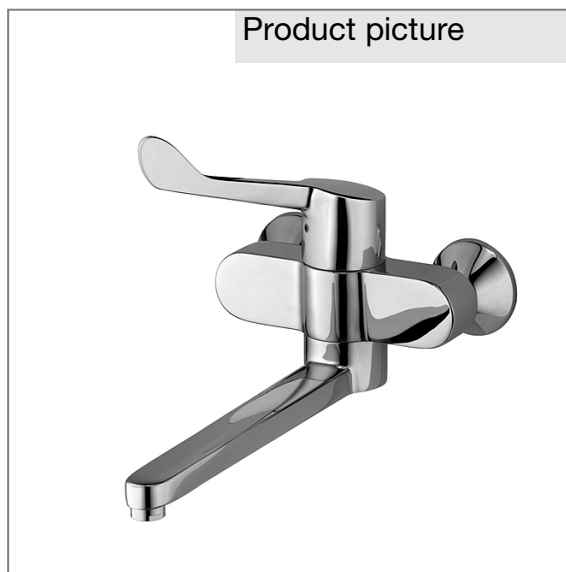
Ref.: 349240524

Product description

wall mounted single lever mixer DN 15
 arm lever for hospital purpose
 wall fastening
 flow class Z
 flow rate 8 l/min
 care jet-spray regulator M 24 x I
 safety ceramic cartridges with hot water safety stop
 movable and lockable spout
 projection 335 mm
 S unions
 noise group I
 PA-IX 9573/IZ

Finishes:
 05 chrome

Product picture

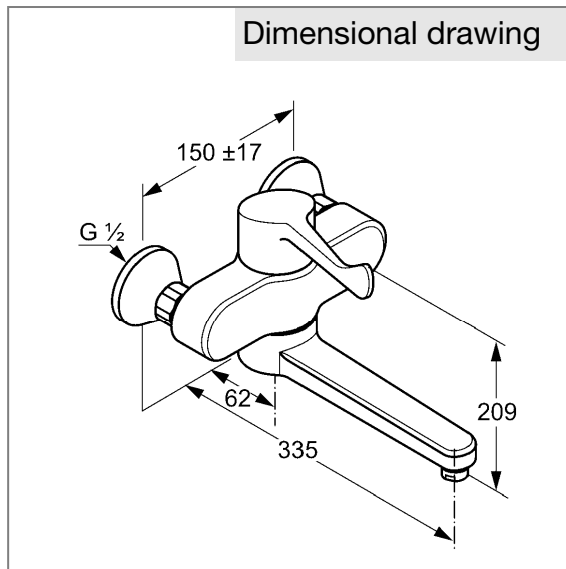


Advertisement

- * KLUDI GmbH & Co. KG KLUDI MEDI-CARE single lever wall mixer item no. 349240524
- ** safety ceramic cartridge with hot water safety stop Ø 35 mm, DIN EN 817
- *** chrome plated brass, DIN 50930-6

single lever wall mixer DN 15, manufacturer KLUDI GmbH & Co. KG KLUDI MEDI-CARE single lever wall mixer item no. 349240524, DN 15, chrome plated brass, safety ceramic cartridge with hot water safety stop Ø 35 mm, flow rate 8 l/min, type: single lever wall mixer DN 15, movable and lockable spout, PCA care- non aerated M 24 x I, noise level DIN EN 4109 group I, report no. PA- IX 9573 / IZ, lever projection 160 mm, S unions 1/2 x 3/4 inch, nozzle projection 335 mm, overall length 209 mm, arm lever for hospital purpose, for pressure type water heater, for continuous line heater, PN 10,

Dimensional drawing



Flow rate diagram

