

Product: **KLUDI Bidet P -Trap G 1 1/4"**

Ref.: **1031105-00**

**Product description**

Bidet P – Trap G 1 1/4" x Ø 32 mm  
with outlet bend Ø 32 x 200 mm  
with wall flange (escutcheon) Ø 65 mm  
according to DIN EN 274

Finishes:  
05 chrome

**Advertisement**

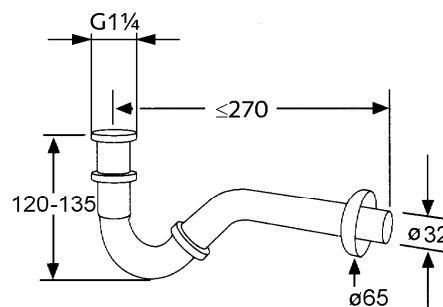
- \* KLUDI GmbH & Co KG KLUDI Bidet P-Trap item no. 1031105-00
- \*\* chrome plated brass
- \*\*\* DIN EN 274

Bidet P-Trap 1 1/4 inch, manufacturer KLUDI GmbH & Co KG KLUDI Bidet P-Trap item no. 1031105-00, finishes: chrome plated brass, rosette chrome plated diameter Ø 65 mm, with outlet bend Ø 32 mm x 200 mm, adjustable drain pipe up to 40 - 55 mm, for wall connection ≤ 270 mm, waste flow rate in accordance to DIN EN 274 ~ 36,0 l/min,

Product picture



Dimensional drawing



Flow rate diagram

**waste flow rate in  
accordance to  
DIN EN 274  
36,0 l/min**