

Product: KLUDI STANDARD stand pillar tap DN 15

Ref.: 2040705 ..

Product description

stand pillar tap DN 15
 choice of handle
 handle Terralux metal (08)
 handle Terralux ABS (15)
 single hole mounted
 flow class A
 aerator M 22 x l
 swivel spout
 outlet screw union G 3/4
 handle marking: blue or red
 noise group I
 PA- IX 1247/IA
 KIWA

Finishes:
 05 chrome

Advertisement

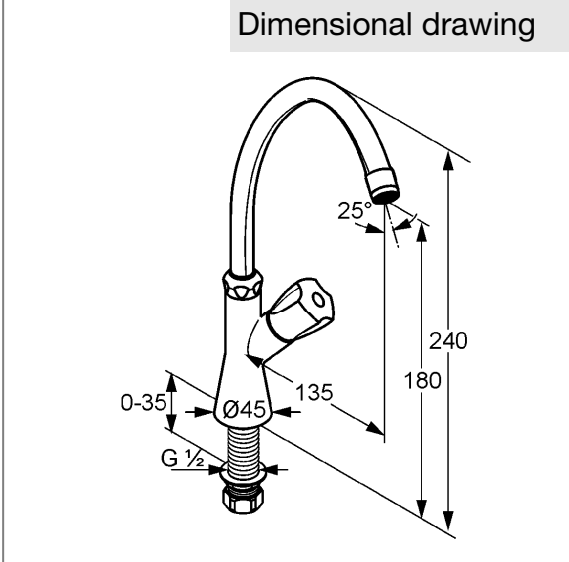
- * KLUDI GmbH & Co KG KLUDI STANDARD stand pillar tap item no. 204070508/15
- ** classic headpart, DIN EN 200
- *** chrome plated brass, DIN 50930-6

stand pillar tap DN 15, manufacturer KLUDI GmbH & Co KG KLUDI STANDARD stand pillar tap item no. 204070508 / 204070515, DN 15, chrome plated brass, type: stand pillar tap DN 15, swivel spout, handle projection 50 mm, aerator M 22 x l, noise level DIN EN 4109 group I, report no. PA- IX 1247 / IA, KIWA approval, flow class A (max. 0,25 l/s), nozzle projection 135 mm, back nut fixing, without rigid pipe Ø 10 mm, nozzle height 180 mm, classic headpart 1/2", choice of handle marking: blue or red (handle 08/15), thread connection 1/2 inch with cap nut, outlet screw union 3/4 inch, overall length 240 mm, choice of handle: 08 = handle Terralux chrome plated metal, 15 = handle Terralux ABS chrome plated plastic, PN 10

Product picture



Dimensional drawing



Flow rate diagram

