

Product: KLUDI STANDARD Multi sink mixer DN 8

Ref.: 317230515

Product description

Multi sink mixer DN 8
 Terralux ABS handles
 single hole mounted
 flow rate 5 l/min
 flow straightener M 22 x l
 swivelling spout (360°)
 one connection for washing-machine or dishwasher
 shank-fixing
 copper tubes Ø 8/10 mm
 for use with displacement heaters
 noise group I
 PA-IX 7727/I

Finishes:
 05 chrome

Product picture

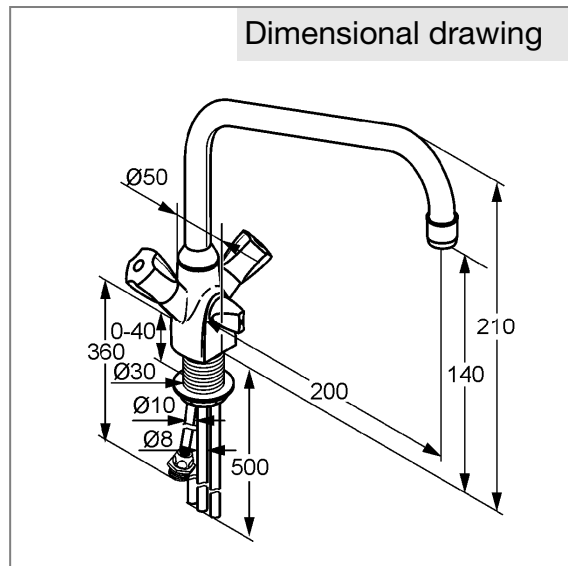


Advertisement

- * KLUDI GmbH & Co KG KLUDI STANDARD Multi-sink mixer item no. 317230515
- ** classic headparts, DIN EN 200
- *** chrome plated brass, DIN 50930-6

Multi-sink mixer, manufacturer KLUDI GmbH & Co KG KLUDI STANDARD Multi-sink mixer item no. 317230515, DN 8, chrome plated brass, type: Multi-sink mixer DN 8, swivel spout, Terralux ABS handles, handle projection 50 mm, flow straightener M 22 x l, noise level DIN EN 4109 group I, report no. PA- IX 7727 / I, flow rate max. 5 l/min, nozzle projection 200 mm, back nut fixing, copper tubes Ø 8/10 mm length 360 / 500 mm, nozzle height 140 mm, classic headparts, handles with marking red/blue, one connection for washing-machine or dishwasher (flow rate at 3 bar 12,2 l/min), compression joints 3/8 inch x 8/10 mm, overall length 210 mm, for borehole diameter Ø 32 mm, for use with displacement heaters, PN 0,

Dimensional drawing



Flow rate diagram

