

**Product:** JOOP! angle valve DN 15

**Ref.:** 558430505

**Product description**

angle valve DN 15  
 Cylindrical handle  
 wall fastening  
 flow class B  
 ceramic headpart 90°  
 sliding cover plate  
 connection G 1/2 x G 3/8  
 marked: neutral  
 noise group I

Finishes:  
 05 chrome

**Product picture**

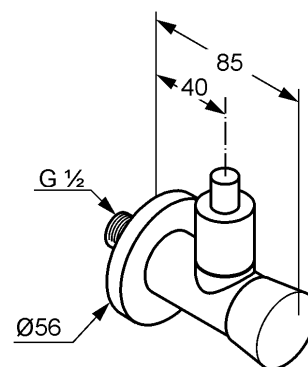


**Advertisement**

- \* KLUDI GmbH & Co KG JOOP! angle valve item no. 558430505
- \*\* ceramic headpart 90°, DIN EN 200
- \*\*\* cylindrical handle chrome plated
- \*\*\*\* brass, DIN 50930-6

angle valve, manufacturer KLUDI GmbH & Co KG JOOP! angle valve item no. 558430505, chrome plated brass, DN 15, wall connection 1/2 inch, noise level DIN EN 4109 group I, without report no., ceramic headpart 90°, outlet connection 3/8 inch, cylindrical handle, sliding cover plate Ø 56 mm, projection 85 mm, flow class B (max 0,42 l/s), with Cylindrical handle chrome plated, PN 10,

**Dimensional drawing**



**Flow rate diagram**

