

Product: KLUDI ADLON stand pillar tap DN 15

Ref.: 51014 .. 20

Product description

stand pillar tap DN 15
 cross handle
 single hole mounted
 flow class S
 ceramic headpart 180°
 without rigid pipe Ø 10 x 500 item no. 16203 ..
 marked: COLD
 noise group I
 KIWA

Finishes:
 05 chrome
 45 permabrass

Product picture

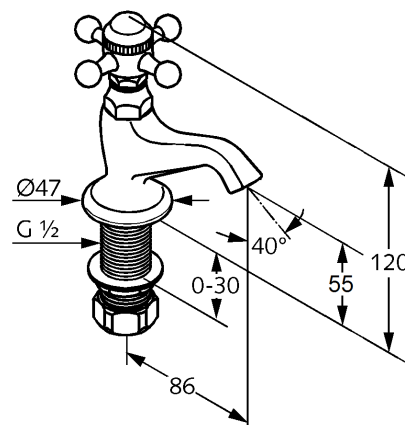


Advertisement

- * KLUDI GmbH & Co KG KLUDI ADLON stand pillar tap item no. 51014..20
- ** ceramic headpart 180°, DIN EN 200 // KIWA appr.
- *** chrome plated brass, DIN 50930-6

stand pillar tap, manufacturer KLUDI GmbH & Co KG KLUDI ADLON stand pillar tap item no. 51014..20, DN 15, finishes: chrome / permabrass plated brass, ceramic headpart 180°, type: stand pillar tap DN 15, noise level DIN EN 4109 group I, without report no., KIWA approval, nozzle height 55 mm, nozzle projection 86 mm, cross handle, flow class A (max. 0,25 l/s), for connection with rigid pipe Ø 10 x 500 mm item no. 16203.., with back nut fixing, overall length 120 mm, PN 10,

Dimensional drawing



Flow rate diagram

