

**Product:** KLUDI BINGO STAR 200 single lever sink mixer DN 10

**Ref.:** 428550578

**Product description**

single lever sink mixer DN 10  
 Semi-Profi version  
 solid lever  
 single hole mounted  
 flow class A  
 cascade aerator M 24 x I  
 ceramic cartridge with hot water safety device  
 swivelling spout (220°), pull-out hand spray  
 protected against back flow  
 shank-fixing  
 flexible high pressure supply tubes G 3/8  
 noise group I

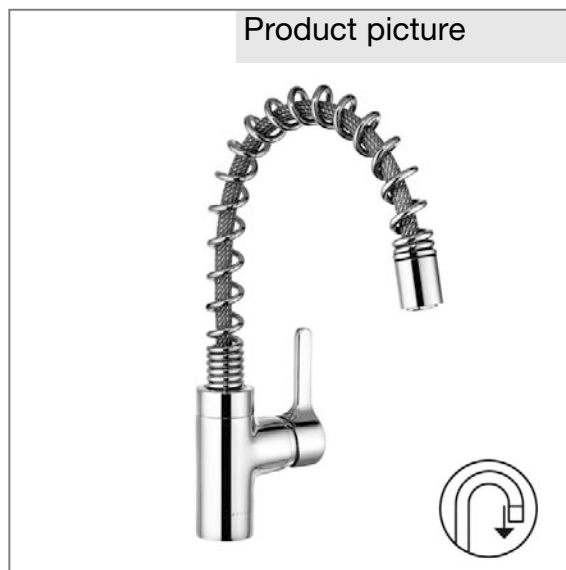
Finishes:  
 05 chrome

**Advertisement**

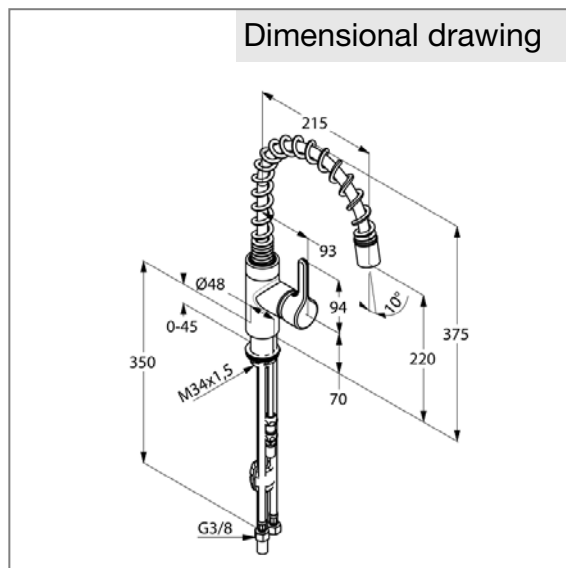
- \* KLUDI GmbH & Co. KG KLUDI BINGO STAR 200 single lever sink mixer DN 10 item no. 428550578
- \*\*\* ceramic cartridge with hot water safety device Ø 35 mm, DIN EN 817
- \*\*\* chrome plated brass, DIN 50930-6

single lever sink mixer, manufacturer KLUDI GmbH & Co. KG KLUDI BINGO STAR 200 single lever sink mixer item no. 428550578, DN 10, chrome plated brass/metal, type: single lever sink mixer DN 10, swivel pull out spout, solid lever, lever projection 93 mm, cascade aerator M 24 x I, noise level DIN EN 4109 group I, without report no., flow class A (max. 0,25 l/s), nozzle projection 215 mm, back nut fixing, flexible high pressure supply tubes 3/8 inch with metal body with DVGW / KIWA / WRAS / CSTB length 350 mm, overall length 375 mm, protected against back flow DIN EN 1717, ceramic cartridge with hot water safety device Ø 35 mm, flexible shower hose with W270/KTW-A usable from it ~ 500 mm, nozzle height 220 mm, for borehole diameter Ø 35 mm, for pressure type water heater, for continuous line heater, PN 10,

**Product picture**



**Dimensional drawing**



**Flow rate diagram**

