

Product: **KLUDI BOZZ single lever sink mixer DN 10**

Ref.: **428510576**

Product description

single lever sink mixer DN 10
 solid lever
 single hole mounted
 flow class Z
 PCA Cache aerator M 16,5 x l
 ceramic cartridge with hot water safety device
 swivelling spout (230°), pull-out hand spray
 protected against back flow
 shank-fixing
 flexible high pressure supply tubes G 3/8
 noise group I

Finishes:
 05 chrome

Product picture

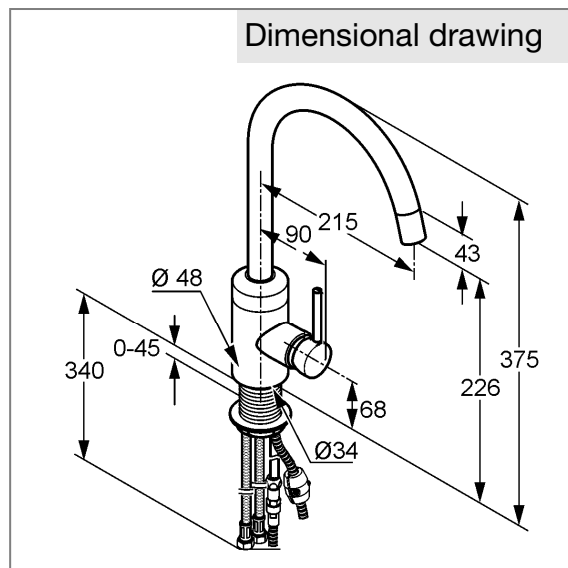


Advertisement

- * KLUDI GmbH & Co KG KLUDI BOZZ single lever sink mixer item no. 428510576
- ** chrome plated brass, DIN EN 50930-6
- *** ceramic cartridge with hot water safety device Ø 35 mm, DIN EN 817

single lever sink mixer, manufacturer KLUDI GmbH & Co. KG KLUDI BOZZ single lever sink mixer item no. 428510576, DN 10, chrome plated brass, type: single lever sink mixer DN 10, swivel pull out spout, solid lever, lever projection 85 mm, PCA Cache aerator M 16,5 x l, noise level DIN EN 4109 group I, flow level Z = 7,6 l/min, nozzle projection 215 mm, flexible high pressure supply tubes 3/8 inch with DVGW / KIWA / WRAS / CSTB approval with metal body length 340 mm, nozzle height 226 mm, ceramic cartridge with hot water safety device Ø 35 mm, overall length 375 mm, protected against back flow DIN EN 1717, for borehole diameter Ø 34 mm, for pressure type water heater, for continuous line heater, PN 10

Dimensional drawing



Flow rate diagram

