

Product: **KLUDI MX single lever basin mixer DN 10**

Ref.: **331260562**

Product description

single lever basin mixer DN 10
 open ring lever
 single hole mounted
 flow class A
 s-pointer aerator M 24 x I
 ceramic cartridge with hot water safety device
 without pop up waste
 rapid installation set
 flexible high pressure supply tubes G 3/8
 noise group I

Finishes:
 05 chrome

Product picture

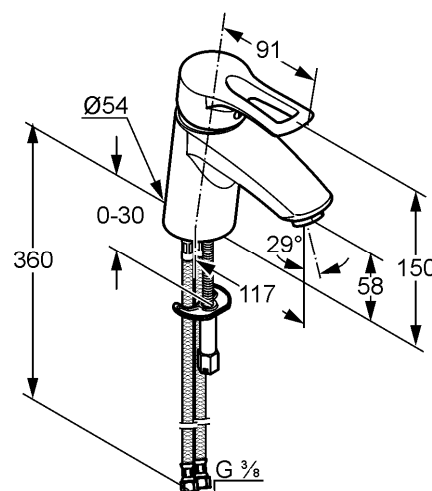


Advertisement

- * KLUDI GmbH & Co. KG KLUDI MX single lever basin mixer item no. 331260562
- ** ceramic cartridge with hot water safety device \varnothing 41 mm, DIN-EN 817
- *** chrome plated brass, DIN 50930-6

single lever basin mixer, manufacturer KLUDI GmbH & Co. KG KLUDI MX single lever basin mixer item no. 331260562, DN 10, chrome plated brass, ceramic cartridge with hot water safety device \varnothing 41 mm, open ring lever, noise level DIN EN 4109 group I, without report no., type: single lever basin mixer DN 10, flow class A (max. 0,25 l/s), with swivel s-pointer aerator M 24 X I A, flexible high pressure supply tubes 3/8 inch with DVGW / KIWA / WRAS / CSTB with metal body length 360 mm, nozzle projection 117 mm, nozzle height 58 mm, lever projection 91 mm, rapid installation set, overall length 150 mm, for pressure type water heater, for continuous line heater, PN 10,

Dimensional drawing



Flow rate diagram

